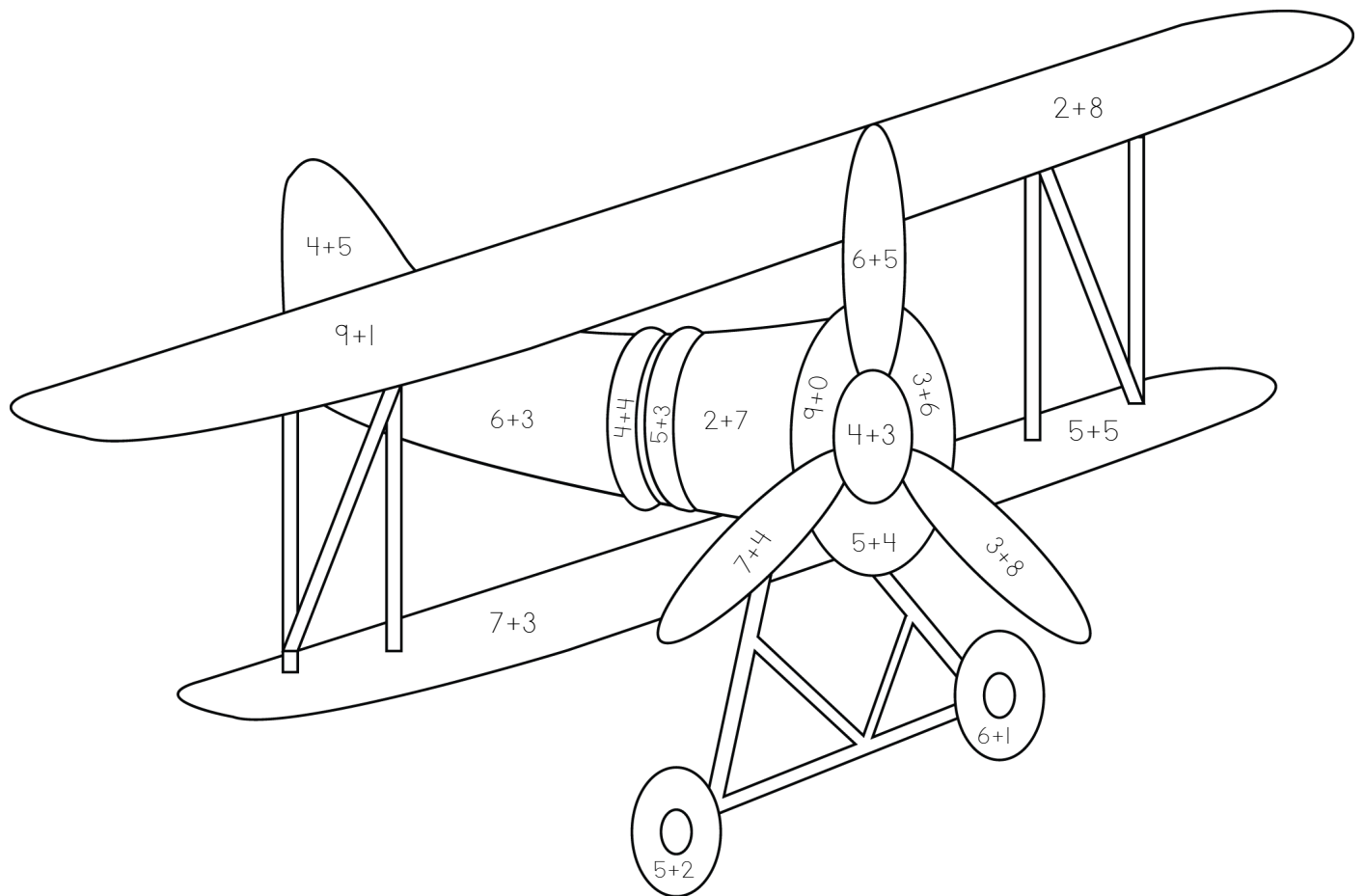


# Airplane Addition!

Find the sum of each equation in the airplane. Then color the section using the table below.



<u>Sum</u>	<u>Color</u>	<u>Sum</u>	<u>Color</u>
7	black	10	blue
8	green	11	gray
9	orange		